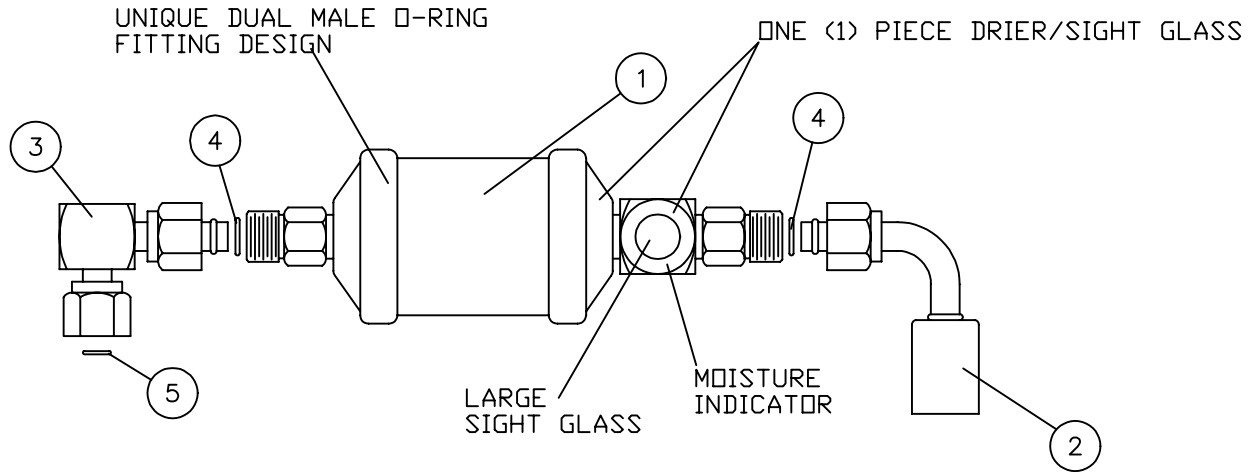


FILTER DRIERS

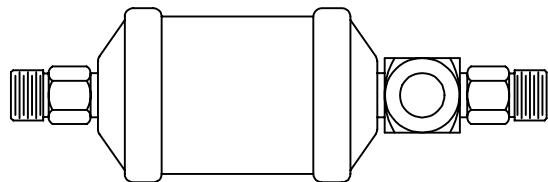
ACT P/N	CARRIER P/N	TRANS/AIR P/N	DESCRIPTION
490-054	-	-	RETROFIT KIT, 16 CU.IN. FLTR DRIER
			W/ 1/2 M.O. TO 1/2 F.F.O.



490-054

IT	QTY	ACT PART#	DISCRIPTION
1	1	DSI-300	FILTER DRIER, 16 CU.IN., 1/2 MOI W/SIGHTGLASS COMB.
2	1	FTG-124	FTG, 90 DEG. FOR 1/2" X #8 HOSE BL
3	1	FTG-160	FTG, 90 DEG SWIVEL 1/2" FOR 1/2" FFL
4	2	ORG-012	O-RING, 1/2 DIA. R134A
5	1	ORG-112	O-RING, 1/2" FLARE O-RING CONNECTION

ACT P/N	CARRIER P/N	TRANS/AIR P/N	DESCRIPTION
DSI-300	14-00288-00	-	FILTER DRIER. 16 CU.IN., 1/2 MOI
			W/SIGHTGLASS COMBINATION



DSI-300

FILTER DRIERS

ACT P/N	CARRIER P/N	TRANS/AIR P/N	DESCRIPTION
PEP-101	101-200	211007	SIGHTGLASS,1/2 M-FLARE X 1/2 F-FLARE
DRI-101	14-01063-05	212010	FILTER DRIER,30 CU.IN.,1/2 X 1/2 FLARE-O
			W/ 1/2 M.O. TO 1/2 F.F.O.



ACT P/N	CARRIER P/N	TRANS/AIR P/N	DESCRIPTION
DRI-103	101-304	-	DRIER RECIEVER,2.5 DIA.,3/8 MOR
			CON.,W/SIGHTGLASS

